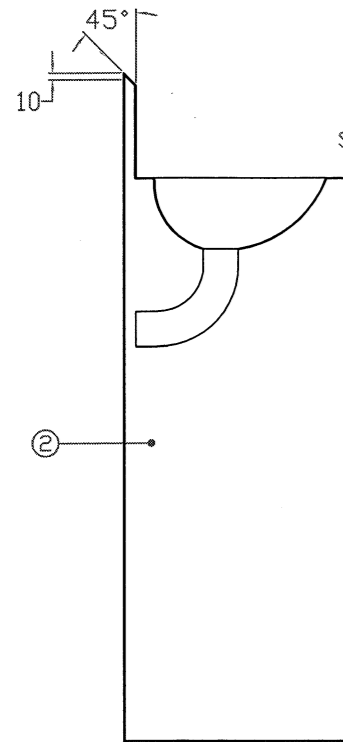
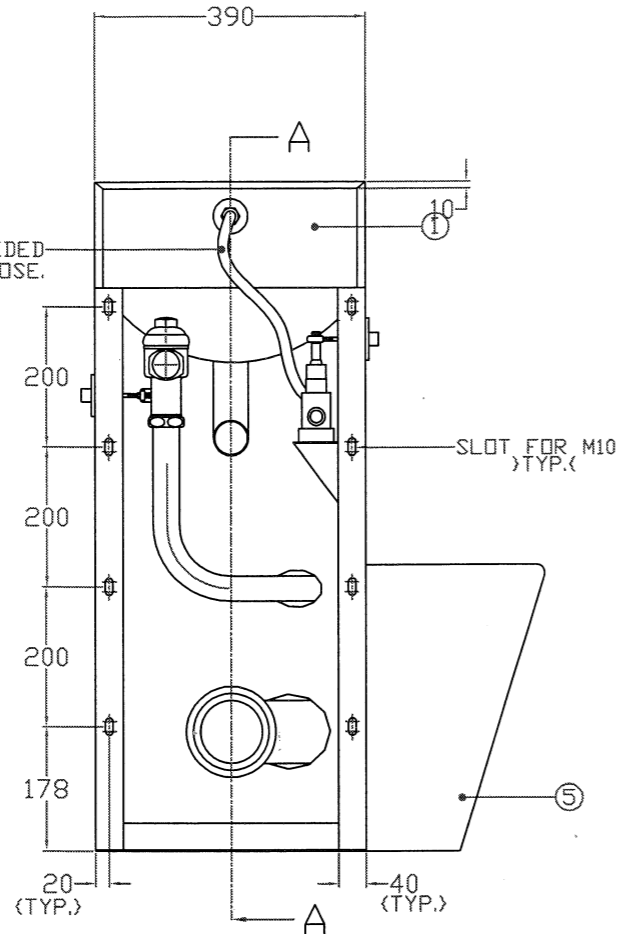


DO NOT SCALE.  
IF IN DOUBT ASK.

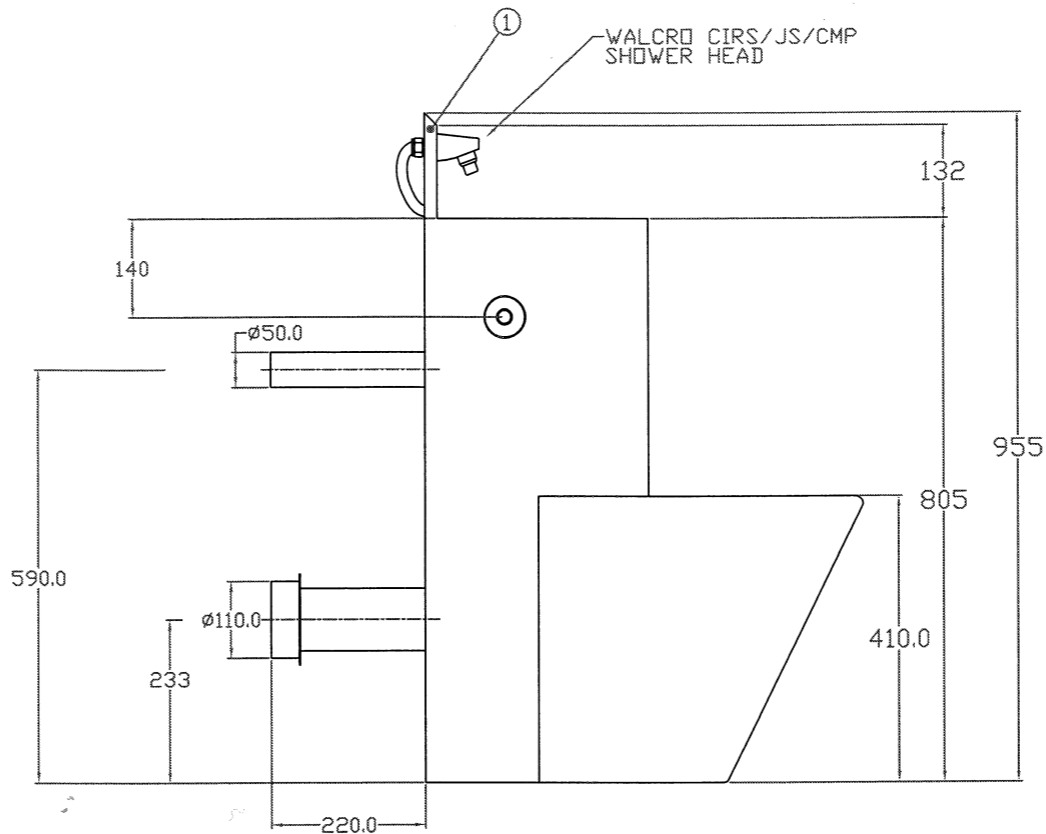


DETAIL OMITTED  
FOR CLARITY

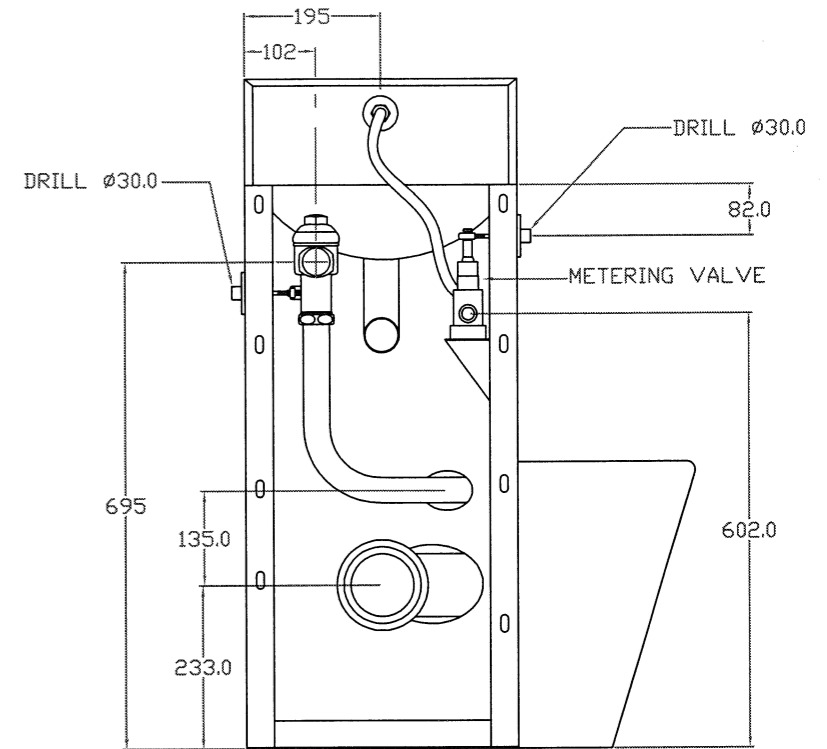
SECTION A-A



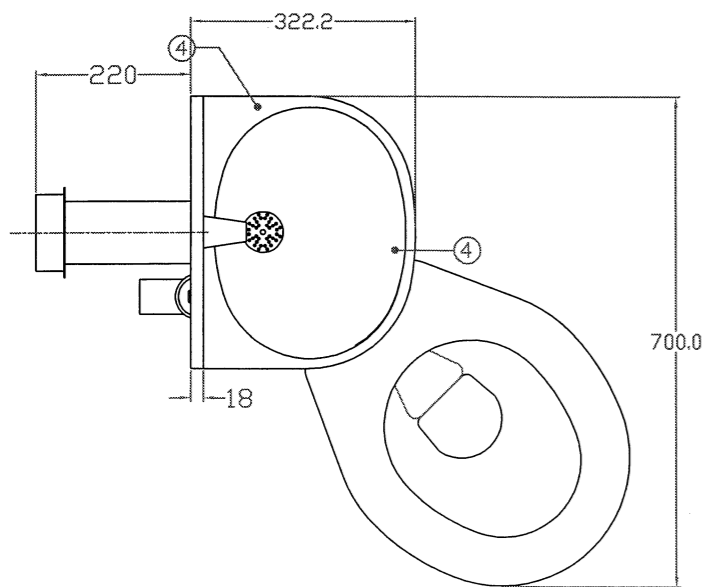
REAR VIEW



R.H. VIEW



WATER INLET POSITIONS



PLAN VIEW

**NOTE:**

1) DUE TO MANUFACTURING TOLERANCES THE POSITION OF ALL PLUMBING MAY VARY FROM THE DIMENSIONS INDICATED ON THIS DRAWING, AND FROM UNIT TO UNIT, BY APPROXIMATELY ± 5mm.

THEREFORE, ALL CONNECTIONS TO THIS UNIT MUST ALLOW FOR THIS DIMENSIONAL VARIANCE.

2) DETAIL OMITTED FOR CLARITY.

ITEM No.	DESCRIPTION	MAT'L.	QTY.
6	1 1/4" BSP SOCKET(24MM)	316 ST/ST	1
5	T/PAN SHROUD(1000x600)	1.2MM ST/ST	1
4	BOARD & BOWL(1 PIECE)	1.2MM ST/ST	1
3	BASE PLATE	1.6MM ST/ST	1
2	BODY	1.6MM ST/ST	1
1	SPLASH BACK(FALSE)	1.6MM ST/ST	1



Franke Kitchen Systems (Pty) Ltd.  
SOUTH AFRICA.

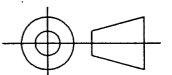
DRAWN BY:	Y. REDDY	MATERIAL:	304 ST/STEEL
APPROVED:		FINISH:	POLISHED
DATE:	10/11/1997	SCALES:	N.T.S.

DESCRIPTION: PRISON COMBINATION "W.C" PAN AND WASH HAND BASIN.

DRG. No.:00592

TOLERANCES UNLESS OTHERWISE SPECIFIED.

2 DECIMAL PLACES	10,00 ± 0,1
1 DECIMAL PLACE	10,0 ± 0,2
0 DECIMAL PLACE	10 ± 0,5
< TOLERANCE	10,0 ± 0,5



A2

REV.	DATE	DETAILS	APP.	E.C.
1	10/11/97	INITIAL ISSUE		